

Numerical control

VisiTouch Pac VisiTouch Pac MX

VisiTouch Pac is an outstanding numerical control for press brakes with a new solution all-in-one:

- Semi-compact control with a 19" modern streamlined glass surface full touch-screen and the CNC board mounted on the back of the screen.
- Full digital up to 24+2 electric axes with two CANopen® and one EtherCAT® field buses with wide configuration capabilities.
- Interface to all kind of hydraulic systems, I/O and analogue axes thanks to the CybMVA modules placed inside the electrical cabinet.



VisiTouch Pac numerical controls are available in two versions:

- VisiTouch Pac with 2D graphical profile drawing (Touch Profile) and 3D visualization
- VisiTouch Pac MX with import, program, visualization and simulation, all in 3D.

In addition to all the features available to control simple as well most sophisticated press brakes, hydraulic, electrical and hybrid, VisiTouch Pac offers also an open system allowing customization to be up to the Industry's 4.0 production management requirements.

Main features

For the User

Modern streamlined glass surface touch screen that can be used with gloves.

User-friendly HMI thanks to intuitive programming.

All kinematics available:

- For X, Xrelatives, Xslave, R, Rslave, and Z axes.
- For Back and Front multiples gauges.
- For bending aids.

Highest precision of bending thanks to sophisticated algorithms.

Tandem.

Tools import.

Group management for complex production.

Preliminary / Final bend.

Hemming management.

Running under Windows 10 for multitasking and networking.

Angle measurement.

Barcode reader.

Customizable Industry 4.0.

For the OEM:

Set up with dedicated wizards (auto-tuning).

Axis control through CANopen® and EtherCAT® with wide configuration capabilities.

Customizable User Buttons for the machine operator.

Open system for customization.

Interactions with the beam through specific cycles to manage hybrid and electric press brakes.

Dynamic and regulated crowning cycles.

Plug-in for HMI part.

Communication protocol with arm robots for press brakes applications.

Technical Characteristics – VisiTouch Pac and VisiTouch Pac MX

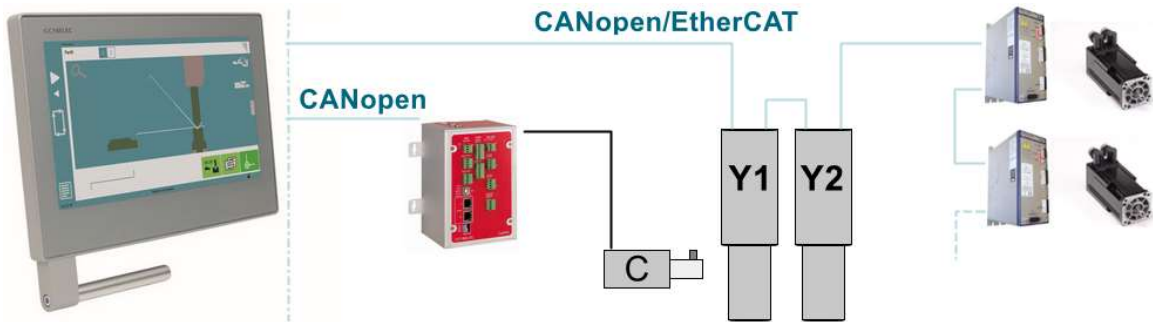
Display	
TFT screen	18.5" wide TFT 16:9
Resolution	1366 x 768, 24 bits (WXGA)
Touch screen	Glass PCAP Multi-touch 10 fingers
Seal	IP65 - front side only
Handle	Included
Operating conditions	Min. 5° Celsius, max. 40° Celsius. If the ambient temperature approaches or exceeds 40° Celsius, it is advisable to install special ventilation, or even air-conditioning. Relative humidity (10 to 85% non-condensing).
EC Directives	IEC 61131-2

		CNC board 2D	CNC board 3D (MX)
Operating System		Windows 10	
Processor Unit	Model	Intel® Atom x5-E3940 Quad-Core @1.6GHz	Intel Atom x7-E3950 Quad core @1.6GHz
	Graphic	Intel® HD Graphics 500	Intel Gen 9LP Graphics
	RAM	4 GB DDR RAM	8 GB DDR RAM
	Cooling	Passive Heat sink, FAN less	Passive Heat sink, FAN less
Mass Storage	Capacity	32 GB CFAST memory card SATA 16 GB eMMC	
Display Interface		DVI	Up to 1920x1600, single-link DVI-D interface
		LVDS	Up to 1920x1200, dual channel LVDS mode 18bpp or 24bpp
Communication		LAN	1x Gigabit Ethernet, RJ-45(10/100/1000)
		USB	4x USB (1x USB 3.1, 3x USB 2.0) 1x USB 2.0 (dedicated to local Touch-Screen)
		COM	1x RS-232C/RS-485 (D-sub 9-pin male, Data flow 115kbps)
		Wi-Fi	USB compatible
		4G-5G	USB compatible
Operating temperature		0 - 40°C	
Power Supply (Numerical Control)		+24V _{dc} @0.8A typ.(CN without I/O – X1 connector)	
Power Supply (Digital I/Os)		+24V _{dc} @ 20A max.	
RTC – Calendar Clock		Battery Lithium CR2032 / 3V @225mA/h	
I/O Processor		ARM Cortex M7 series – STM32F765 @216MHz	
Digital Input		6	4mA typ. according to IEC61131-2 type 1 & 3 Isolation 2kV Filtering – debouncing and deglitching (by step of 250µs)
Digital Output		4	0.5A typ. /0.7A max. according to IEC61131-2 type 3 Isolation 2kV Overvoltage and Short circuit protection Status – output in fault and no 24V IO power supply
Fieldbus Interface		2 CANopen	1Mbps CAN 2.0 A, RJ-45, CANopen Master/Slave
		1 EtherCAT	100Mbps EtherCAT, RJ-45, Master Stack

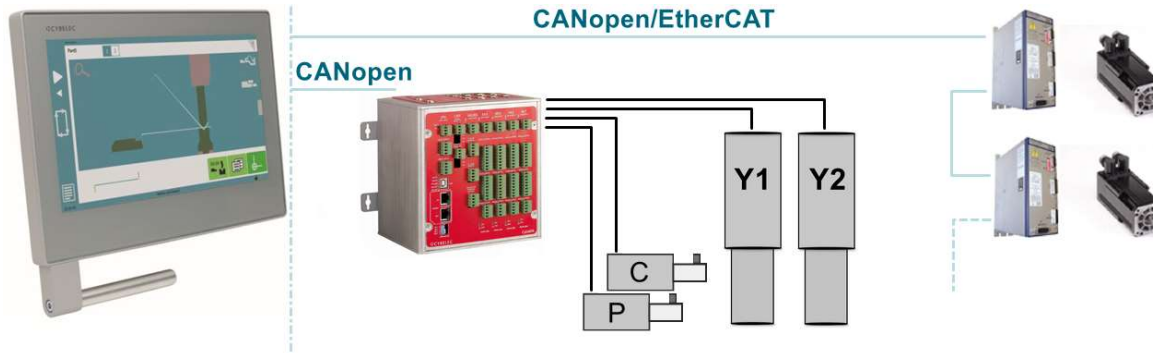
Extras	
CANopen Compatible Drives	Baumüller, Delta Electronics, Infranor, INVT, Schneider, etc.
Ethercat Compatible Drives	Delta Electronics, Infranor, Kollmorgen Europe GmbH, OMRON, Panasonic, Yaskawa Electric, SanyoDenki Co., etc.
Safety Systems Compatibilities	Fiessler, LazerSafe, Nuova Elettronica, Pilz, etc.
Angle Measurement Systems	Protractors: IBR, Mitutoyo DMX, Mitutoyo U-wave Real time Systems: DataM LaserCheck, Lazer Safe IRIS+, Wenglor, etc.
Tool Locators	WILA Smart Toll Locator, PB Service, etc.
Languages	Chinese (simplified and traditional), Czech, Dutch, English (reference language), Finnish, French, German, Italian, Polish, Portuguese (Brazil and Portugal), Russian, Slovenian, Spanish, Swedish, Turkish.

Typical machine configurations – VisiTouch Pac controls and CybMVA modules

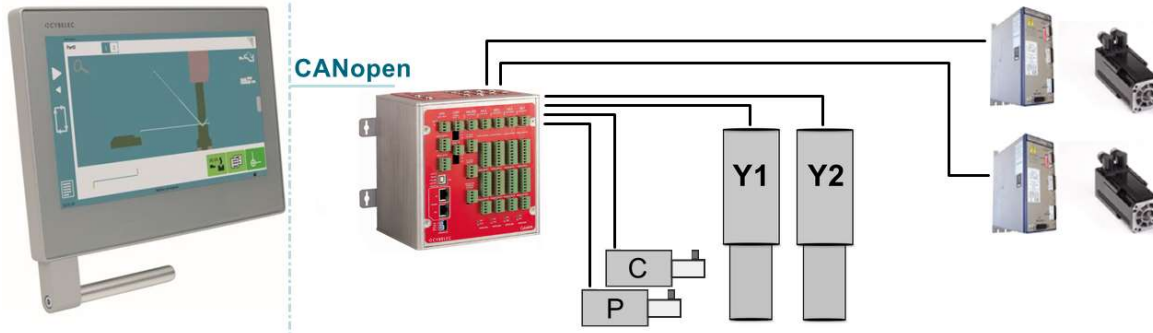
FULL DIGITAL axes configuration for hybrid and electric press brakes



DIGITAL electric axes configuration for hydraulic press brakes

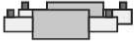
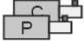






ANALOG electric axes configuration for hydraulic press brakes



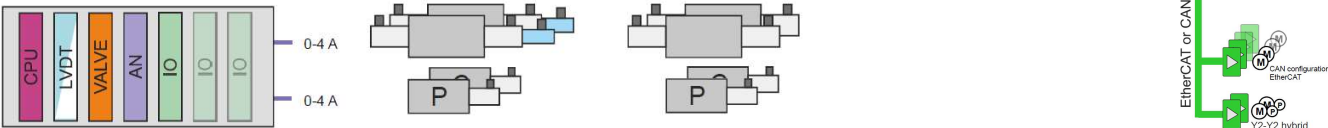
CybmVA modules configurations

For detailed technical characteristic, please refer to the CybmVA datasheet. For machines with more than 4 axes, any additional electric axes on the CybmVA modules require an additional axis license on the VisiTouch Pac.

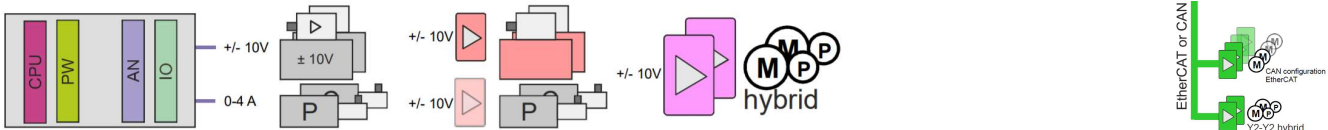
	prop. valve without feedback		Pressure valve Crowning valve
	prop. valve with feedback		MVP 100/A (valve amplifier)
	prop. valve with integrated amp. (+/- 10V analog command)		MSV 402/A (servo-valve amplifier)
			servo-valve 50-300 mA

For machines with digital axes (EtherCAT or CANopen)

Y1, Y2 amplifier for proportional valves with and without feedback and I/O

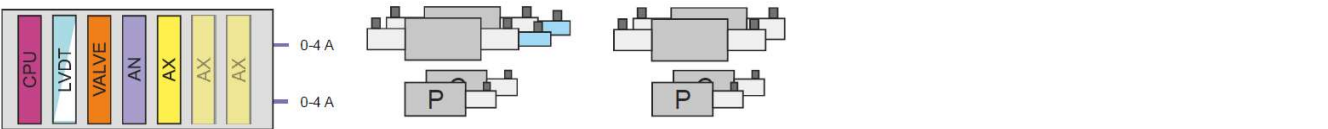
									
CybmVA	Y1-Y2	Digital In	Digital Out	Analog In	Analog Out	Enc In	Y (4A)	P+C (4A)	LVDT
MVA-FD2	Yes	19	19	4	4	2	4	2	2

Y1, Y2 (+/-10V) with proportional valves with integrated Amplifier/Servo Valves/hybrid machines and I/O

									
CybmVA	Y1-Y2	Digital In	Digital Out	Analog In	Analog Out	Enc In	Y (4A)	P+C (4A)	LVDT
MVA-AD2	Yes	19	19	4	4	2	-	2	-

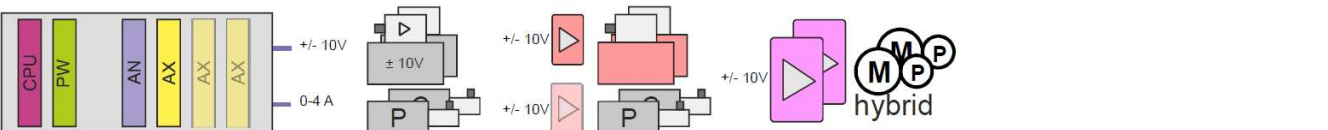
For machines with proportional valves and analog axes

Y1, Y2 amplifier for proportional valves with and without feedback and 2/4/6 analog axes

									
CybmVA	Axes	Digital In	Digital Out	Analog In	Analog Out	Enc In	Y (4A)	P+C (4A)	LVDT
MVA-FA4	(Y1-Y2 +2)	11*	11*	4	6	4	4	2	2
MVA-FA6	(Y1-Y2 +4)	19	19	4	8	6	4	2	2
MVA-FA8	(Y1-Y2 +6)	27	27	4	10	8	4	2	2

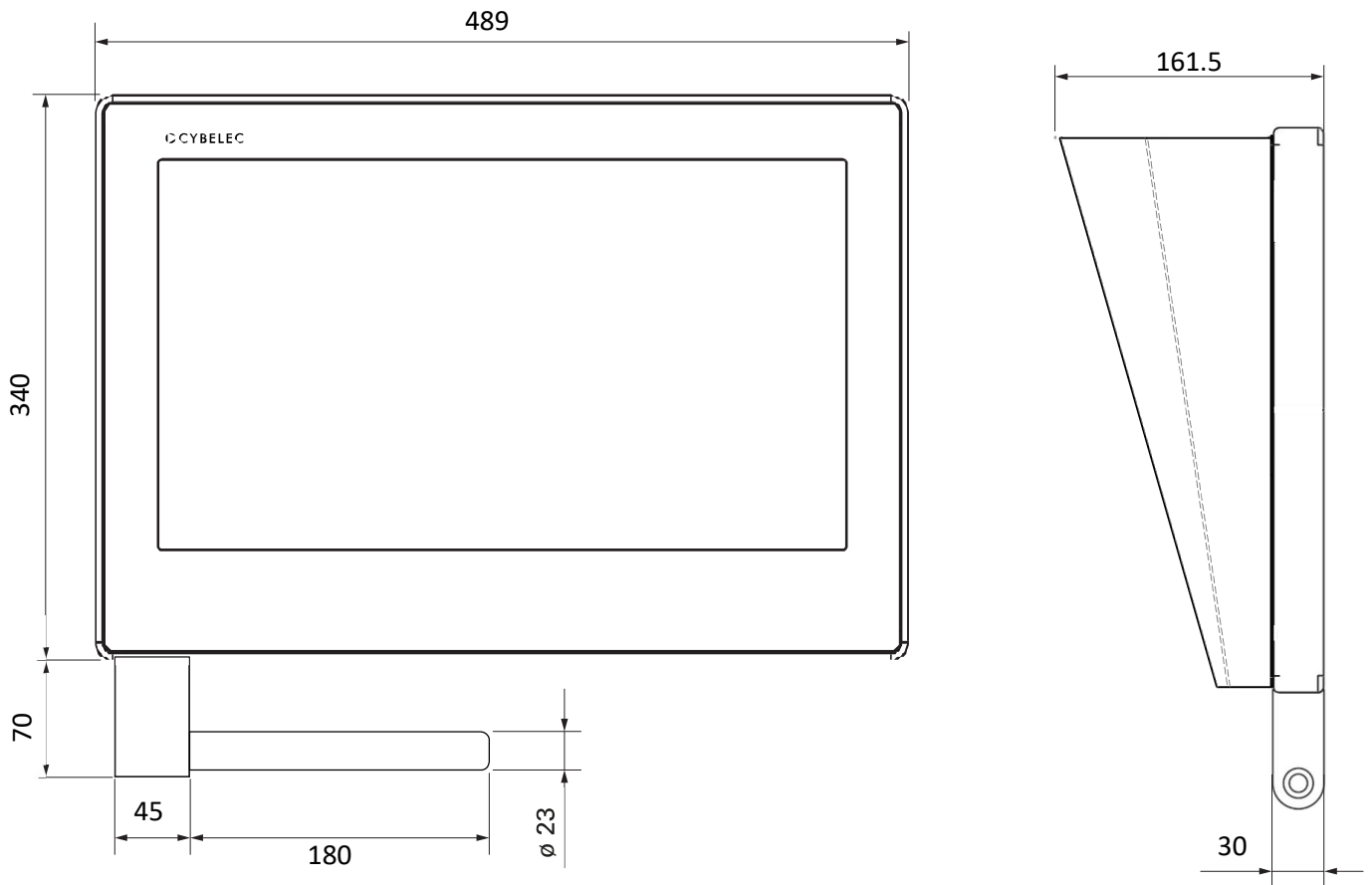
For machines with proportional valves with integrated amplifier / Servo-Valves / Hybrid and analog axes

Y1, Y2 (+/- 10V) and 2/4/6 Analog axes

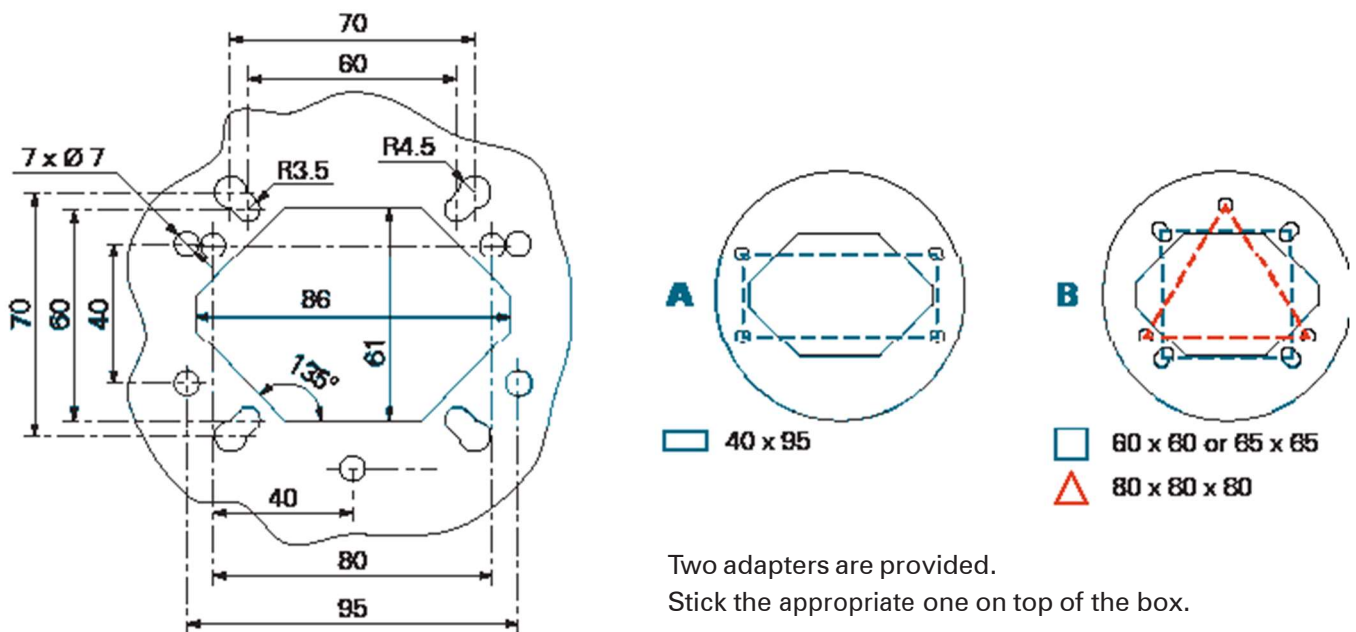
									
CybmVA	Axes	Digital In	Digital Out	Analog In	Analog Out	Enc In	Y (4A)	P+C (4A)	LVDT
MVA-AA4	(Y1-Y2 +2)	11*	11*	4	6	4	-	2	-
MVA-AA6	(Y1-Y2 +4)	19	19	4	8	6	-	2	-
MVA-AA8	(Y1-Y2 +6)	27	27	4	10	8	-	2	-
MVA-AA10	(Y1-Y2 +8)	35	35	4	12	10	-	2	-

Dimensions

Housing Version

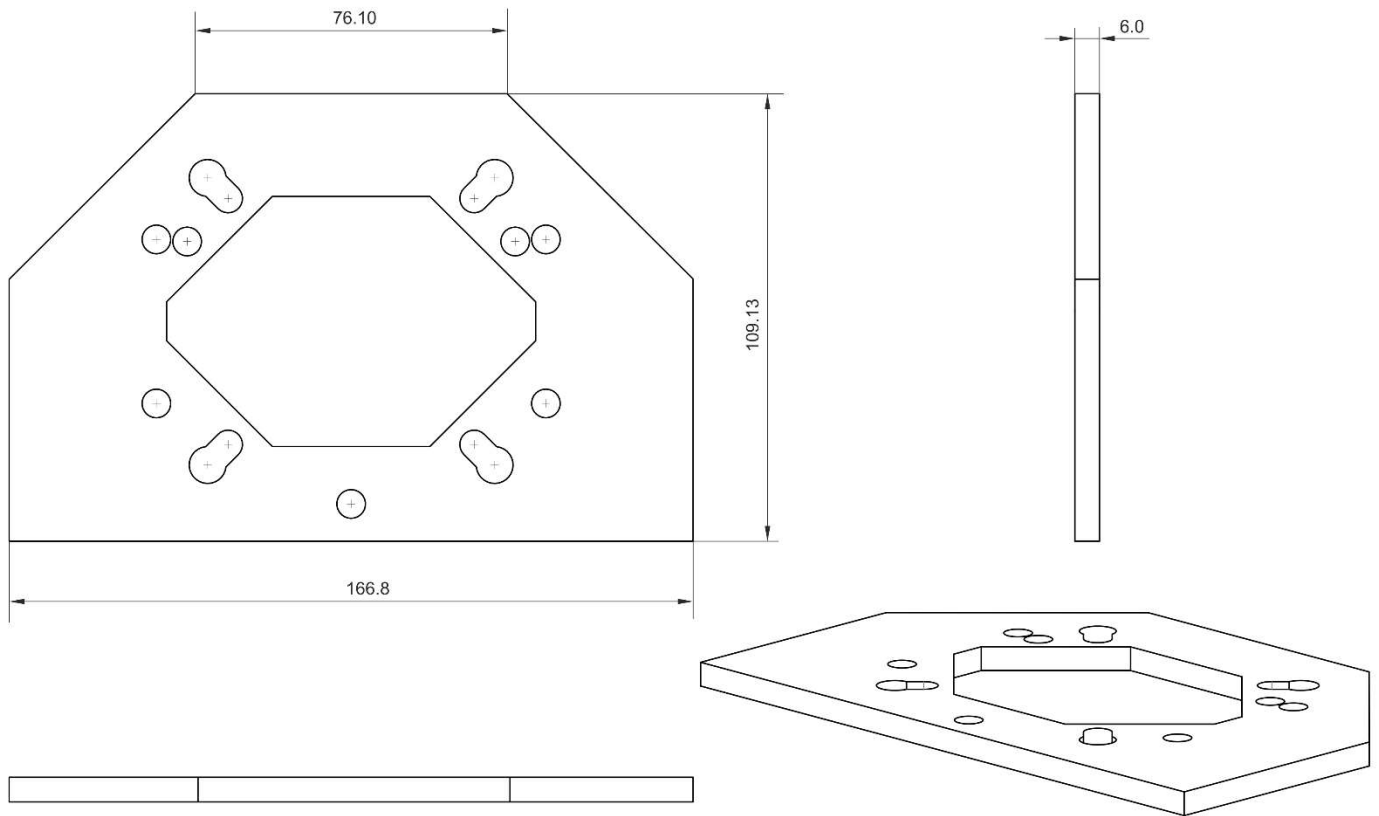


Attachment dimensions



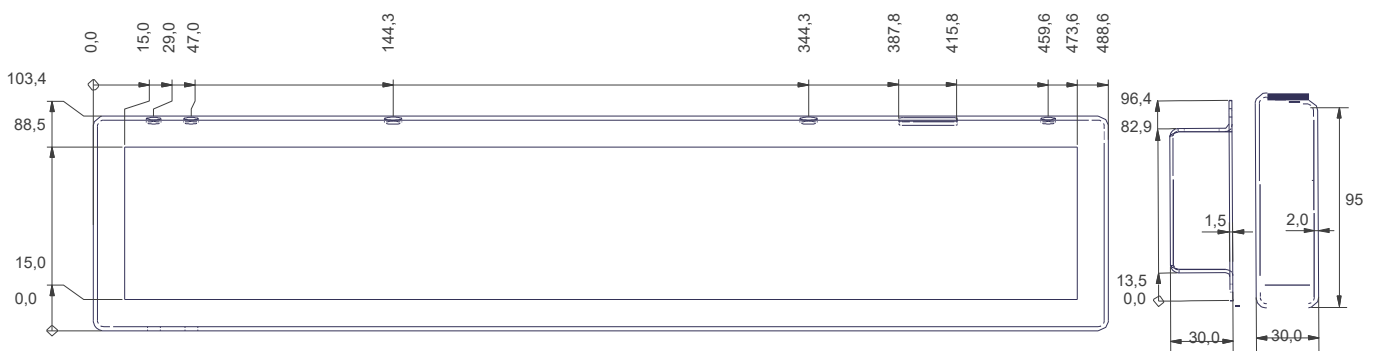
Two adapters are provided.
Stick the appropriate one on top of the box.

ALU spacer for VT and VP fixing dimensions



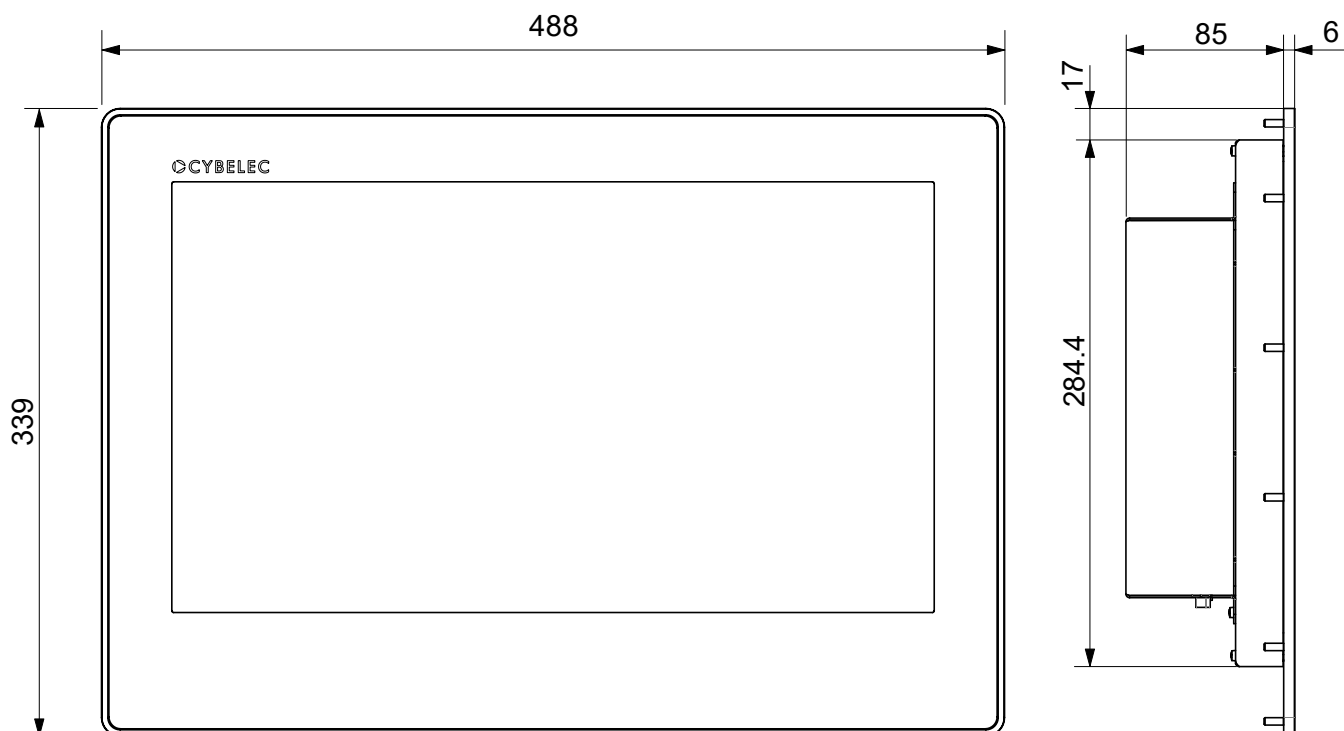
Dimensions

Auxiliary box

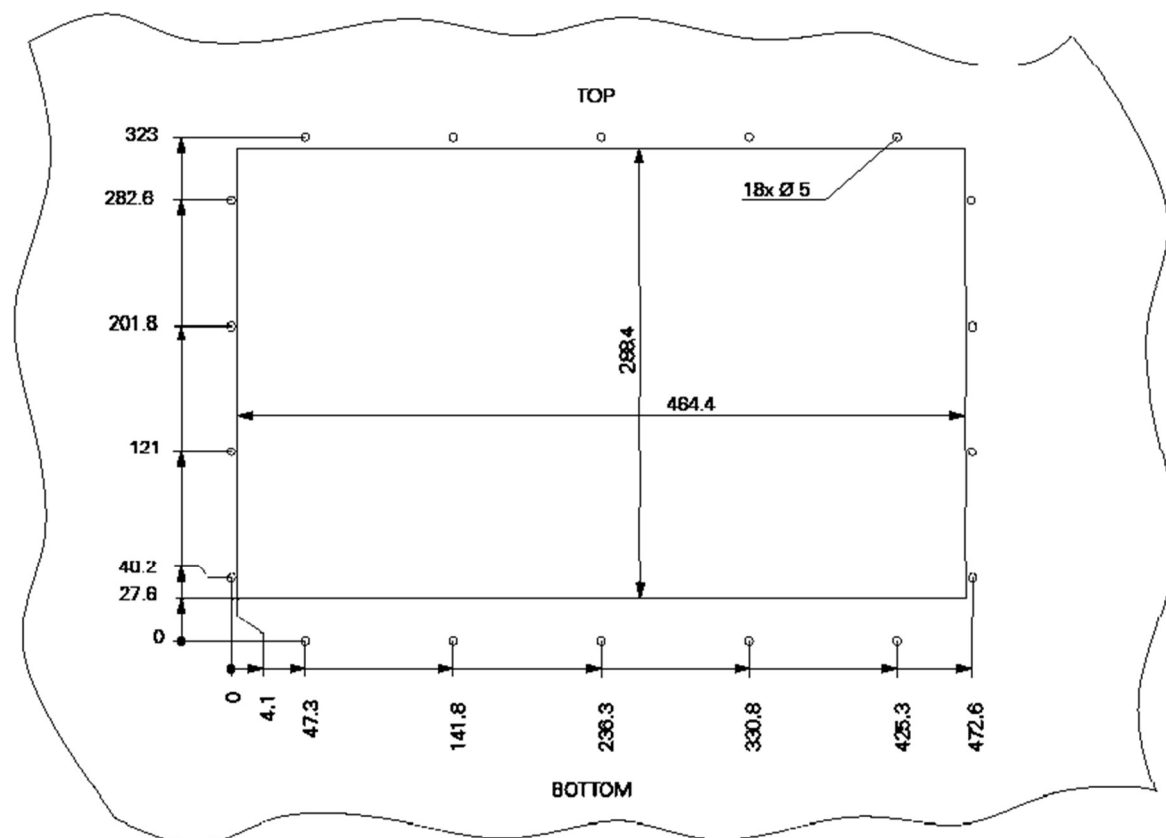


Dimensions

Panel version



Integrating opening dimensions



Ordering information

VisiPac controls

VSP-84PS-2	VisiTouch Pac, 4 axes (Y1, Y2, 2 axes), PS-2D
VSP-84PS-2	VisiTouch Pac, 4 axes (Y1, Y2, 2 axes), PS-2D, panel version
VSP-84PS-MX	VisiTouch Pac MX, 4 axes (Y1, Y2, 2 axes), PS-3D
VSP-84PS-MX/P	VisiTouch Pac MX, 4 axes (Y1, Y2, 2 axes), PS-3D, panel version
VSP-84PS-MXIMP	VisiTouch Pac MX, 4 axes (Y1, Y2, 2 axes), PS-3D and import
VSP-84PS-MXIMP/P	VisiTouch Pac MX, 4 axes (Y1, Y2, 2 axes), PS-3D and import, panel
	All controls with RJ45 wire 7.5m (SFTP CAT 5E) included
	The software is configurable with below options
	Accessories
S-OPT-BTAUX-S/E	Auxiliary box
UPS-DP1	UPS system with battery, 24V DC, 3A
M-300-0013B	ALU spacer for VT and VP fixing

Software options

OFT-AX	Additional axis license
OFT-TM	Tandem management
OFT-BA	Bending aids and sheet support (require axes licenses)
OFT-SS	Sheet support (require axes licenses)
OFT-AM1	Automatic angle measurement (one station)
OFT-AM2	Automatic angle measurement (two stations)
Included	Protractor Angle
OFT-AT	Automatic thickness measurement
OFT-FS	Force sensor management
OFT-SC	Special crowning cycle (user cycle file added by customer)
OFT-TL	Tool locator
OFT-SB	Plugin for communication with Lazer Safe Smart Brackets
OFT-RCG	Plugin for comm. with arm robot (incl. OFT-BA and OFT-SS)
OFT-RCA	Robot control, Cartesian XYZAC (includes 5 axes licenses)
OFT-RAS	STEP Arm Robots control interface

OFT-BC	Plugin for communication with Barcode reader, generic
OFT-ST	Statistics
OFT-I4M	Industry 4.0, statistics, status (MES), communication (MES)
OFT-VA	AutoPOL CAM Viewer
OFT-PG	Authorization for plugin installed by customer
OFT-IMP	MX Import license, DXF flat, SW, IGES, STEP, SAT, X_T

PC offline software

OFT-VST-2	PC offline software VisiTouch (2D)
OFT-VST-MX	PC offline software VisiTouch MX
OFT-VST-MXIMP	PC offline software VisiTouch MX including Import
OFT-IMP-SLDPRT	SolidWorks import license, requires OFT-IMP license
OFT-EXP	DXF export license