



Cutting | Bending | Welding | Automation



# TPS

✦ Bevel Tube Laser Cutting Machine ✦

## Company Culture

### MISSION

Intelligent manufacturing changes future

### VALUES

Customer-focused and employee-based

### VISION

Become a respectable enterprise in the global metal forming equipment field

## Company Profile



**13**

Global Branches



**100+**

Countries Covered



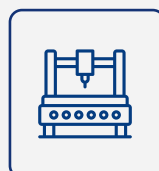
**4**

Manufacturing Bases



**30+**

Global Service Outlets



**8,000+**

Delivery Capability



**96,000m<sup>2</sup>**

Occupied Area



# TPS 3000-6000W

## Bevel Tube Laser Cutting Machine



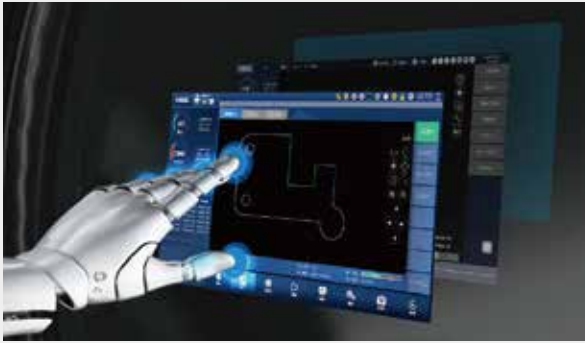
## Technical Parameters

Technical Parameter	TP65S
Power	3000-6000W
Rotating Speed of Chucks	120r/min
Max. Linkage Speed	140m/min
Max. Linkage Acceleration	1.2G
X/Y-axis Positioning Accuracy	±0.03mm/m
X/Y-axis Repositioning Accuracy	±0.03mm
Tailing Length	Tailings in Double-chuck Clamping Model ≥220mm
Cutting Capacity	Round tube Φ20 - Φ273mm Square tube □20*20 - □200*200mm Rectangular diagonal ≤273mm
Weight of Single Tube	200kg
Overall Dimensions(L*W*H) with Loading Racks	12500*4700*2600mm
Optional	8m machine bed
Safety Certification	ETL, THX
The range of pipe material	1000-6500mm

\* Machine appearance, technical parameters, function description, data comparison shown in this page are from HSG in-house laboratory.  
All testing results and experimental data shall be subject to real machine.

## High Speed and Intelligent for Better Processing

- High Speed and Precise  
High-speed data transmission without time delay and strong positional energy control.
- High rotational Speed and Air Velocity  
Bus system and servo motor reduce unproductive time.



## X9000 Bus-based Tube Cutting Control System

- Simple Interface  
Clear interface is convenient for users operating and shows cutting data in real time to save time and costs.
- Functional Integration Control  
A number of core functions are showed centrally on the interface to reduce operating steps and users can easily learn to operate.

## Intelligent Digital Chucks

- Closed-loop control and wireless data transmission in real time.
- Know claws clamping status and accurate tube size .
- Self-adaptive adjustment of clamping force.
- Stop immediately if empty or wrong tube is clamped, so as to lower work error rate.





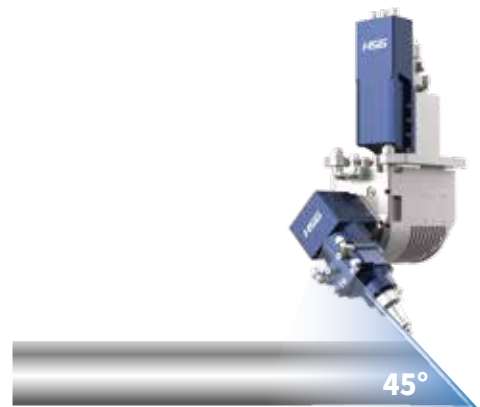
## Powerful Functions Make You Never Spend Time Worrying

- Component Real-time Monitoring and Maintenance Alert  
All components are detected in real time to ensure the stable use and the system is equipped with maintenance alert for careful component management



## LA4 Bevel Cutting Head

- 0-45° bevel takes its shape once, for the convenience of subsequent welding and decrease of reprocessing costs.



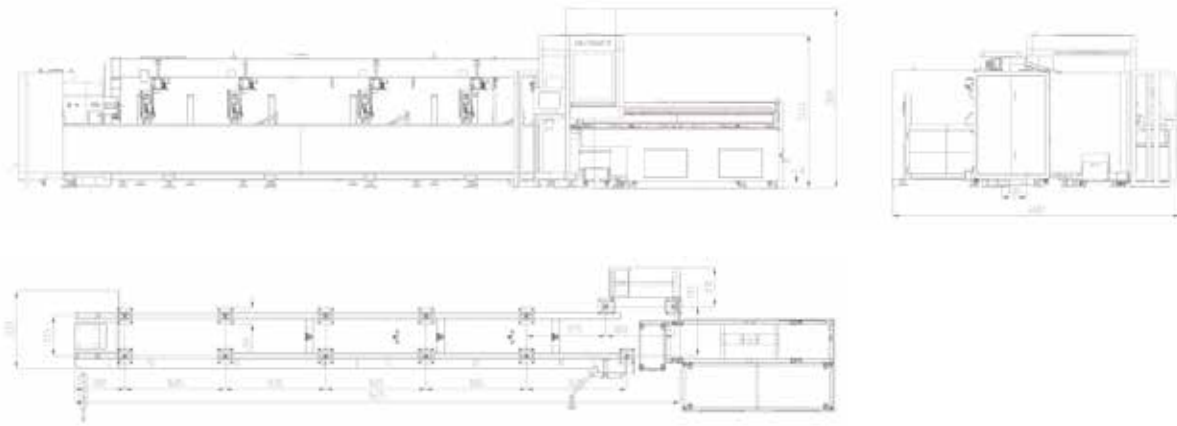
## Tube Splicing Technology

- The operating control offers 50+ kinds of tube splicing patterns, for convenience of subsequent welding, such as splicing of male and female head of square tube, 90° arc splicing, splicing of round tube tee, splicing of cut-through holes, 45° splicing of hexagon, splicing of angle iron and channel steel, etc.



## Machine Foundation

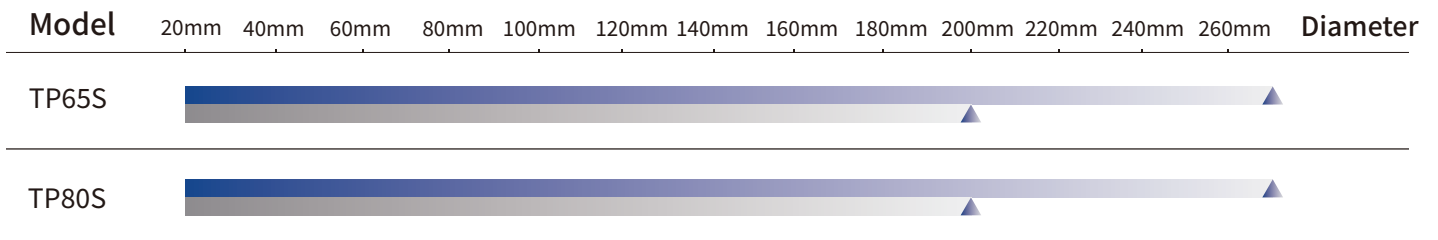
\*The marked size has about 10mm error  
 \*The dimensions of the standard configuration of the machine are for reference only.  
 Please refer to the three views of the order configuration for the actual machine dimensions.



## Cutting Samples



## Cutting Capacity



round tube  
 square tube

The actual machines shall prevail and above data & pictures are only for reference.



# Intelligent Manufacturing Changes Future



**As a global enterprise, HSG sticks to providing professional and convenient service support to customers at home and board**



## Professional Training

Multiple technical training service and free operation training for customers and dealers in time



## Efficient Support

Humanistic service model, online services and 7\*24 hotline to offer solutions and assistance



## Optimized Transport

Multi-channel transport solutions and professional transport solution team will provide various transport cases for to satisfy the demand of customers and save transports fees



## Sufficient Accessories

Highly efficient accessories delivery service, multiple network inventory jointly responds to accessories demand to shorten customer's waiting times and accelerate production



## Careful Services

Domestic door-to-door service and free proofing, global 100+dealers provide efficient and convenient services



Intelligent Manufacturing Changes Future



Website



Facebook



Youtube

Headquarters Add.: No. 4, Anye Road, Shunjiang Community Industrial Park,  
Beijiao Town, Shunde District, Foshan, Guangdong, China  
Website: [www.hsglaser.com](http://www.hsglaser.com)  
Email: [info@hsglaser.com](mailto:info@hsglaser.com)  
Tel: +86 757-66833906